

SFP+ Direct Attach Cables , x meters Reach

Features

- Support for multi-gigabit data rates up to 10.5Gbps
- Data rates backward compatible to 1Gbps
- Support for 1x, 2x, 4x and 8x Fibre Channel data rates
- Hot-pluggable SFP 20PIN footprint
- I/O Connector designed for high speed differential signal applications
- Improved Pluggable FormFactor(IPF) compliant for enhanced
- EMI/EMC performance
- Low Power Consumption < 0.5W
- Power Supply :+3.3V
- Compatible to SFP+ MSA
- Temperature Range: 0~ 70 °c
- ROHS Compatible



Applications

High capacity I/O in Storage Area Networks, Network Attached Storage, and Storage Servers

Switched fabric I/O such as ultra high bandwidth switches and routers

Data center cabling infrastructure

High density connections between networking equipment

Product Description

The SFP+ cable assemblies are high performance, cost effective I/O solutions for 10Gb Ethernet and 10G fibre Channel applications. SFP+ copper modules allow hardware manufactures to achieve high port density, configurability and utilization at a very low cost and reduced power budget. The high speed cable assemblies meet and exceed Gigabit Ethernet and Fibre Channel industry standard requirements for performance and reliability..

Recommended Operating Conditions

P	Symbol	Min	Typical	Max	Unit
Storage Ambient Temperature		-40		+85	°C
Operating Case Temperature	Tc	0		+70	°C
Power Supply Voltage	V _{CC3}	3.14	3.3	3.47	V
Power Dissipation	PD			0.5	W

Systems

Performance	10.5 Gpbs line speed, full duplex Bit error rate: better than 10E-12
Media	Hot-pluggable, industry-standard Small Form-Factor Pluggable(SFP+) copper cable, available as 1m,3m or 5m.
Operating parameters	Supply voltage: 3.3V Power consumption(per end): max 0.5W

Supported Length

1m, 3m, or 5m typical & customer specific requirements

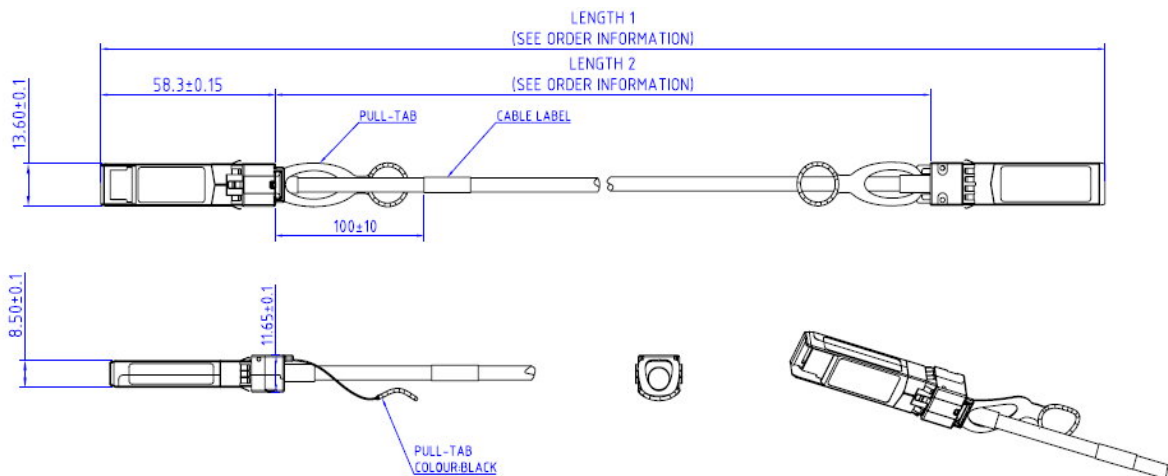
Pin Descriptions

Pin	Log	Symbol	Name/Description	Notes
1		VeeT	Transmitter Ground	
2	LV-TTL-O	TX_Fault	N/A	1
3	LV-TTL-I	TX_DIS	Transmitter Disable	2
4	LV-TTL-I/O	SDA	Tow Wire Serial Data	
5	LV-TTL-I	SCL	Tow Wire Serial Clock	
6		MOD_DEF0	Module present, connect to VeeT	
7	LV-TTL-I	RS0	N/A	1
8	LV-TTL-O	LOS	LOS of Signal	2
9	LV-TTL-I	RS1	N/A	1
10		VeeR	Reciever Ground	
11		VeeR	Reciever Ground	
12	CML	RD-	Reciever Data Inverted	
13	CML	RD+	Reciever Data Non-Inverted	
14		VeeR	Reciever Ground	
15		VccR	Reciever Supply 3.3V	
16		VccT	Transmitter Supply 3.3V	
17		VeeT	Transmitter Ground	
18	CM	TD+	Transmitter Data Non-Inverted	
19	CML	TD-	Transmitter Data Inverted	
20		VeeT	Transmitter Ground	

1. Signals not supported in SFP+ Copper pulled-down to VeeT with 30K ohms resistor

2. Passive cable assemblies do not support LOS and TX_DIS

Mechanical Dimensions



Ordering information

Part Number	Product Description	AWG
Passive		
DRN-SF-10GD-01-DAC	10G SFP+ Copper Twinax cable 1 Meter, passive	30
DRN-SF-10GD-03-DAC	10G SFP+ Copper Twinax cable 3 Meters, passive	30
DRN-SF-10GD-05-DAC	10G SFP+ Copper Twinax cable 5 Meters, passive	30

DRN TEKNOLOJİ reserves the right to make changes to the product(s) or information contained herein without notice. No liability is assumed as a result of their use or application. No rights under any patent accompany the sale of any such product(s) or information. Edition: Jan. 2016
Copyright © DRN TEKNOLOJİ BİLİŞİM SİSTEMLERİ SAN. VE DİŞ TİC. LTD. ŞTİ. All Rights Reserved.

E-mail: info@drnteknoloji.com

Web : <http://www.drnteknoloji.com>